

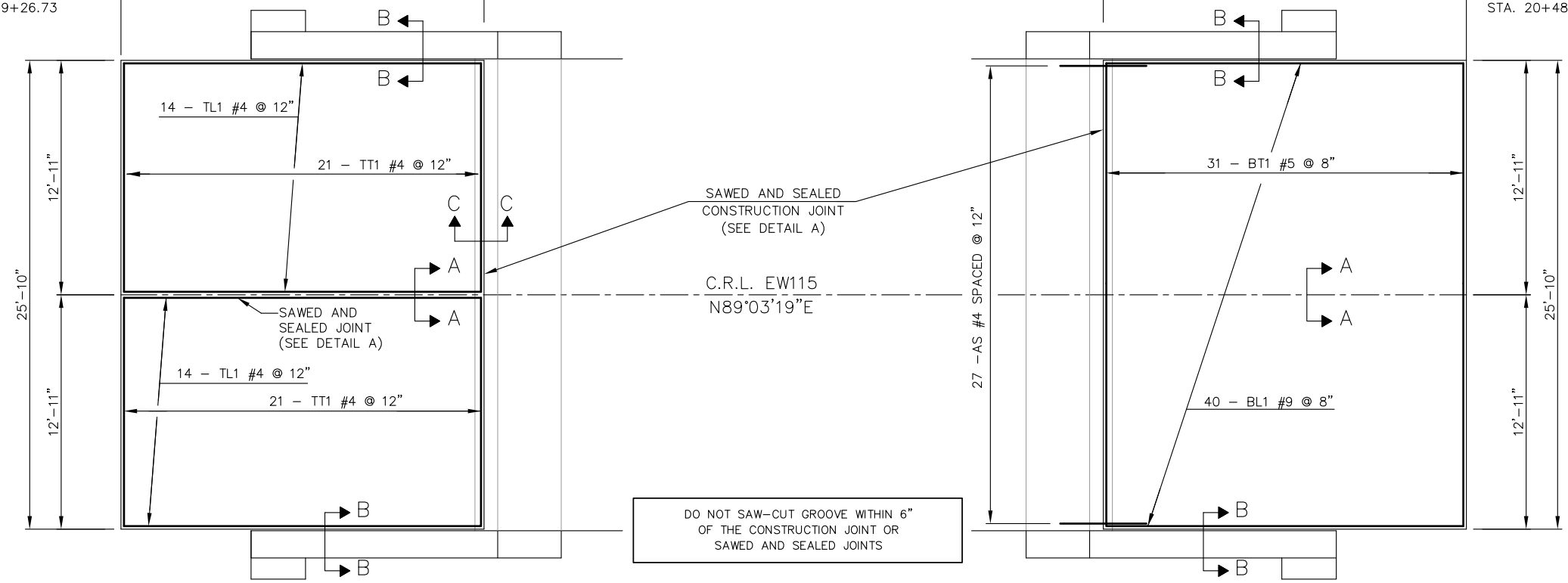
BEGIN APPROACH
SLAB NO. 1
STA. 19+26.73

BEGIN BRIDGE
STA. 19+46.73

END BRIDGE
STA. 20+28.89

END APPROACH
SLAB NO. 2
STA. 20+48.89

REVISIONS		
REV. NO.	DESCRIPTION	DATE



APPROACH SLAB QUANTITIES

ITEM	UNIT	APPROACH SLAB NO.1	APPROACH SLAB NO.2
APPROACH SLAB	SY	57.50	57.50
SAW-CUT GROOVING	SY	44.40	44.40

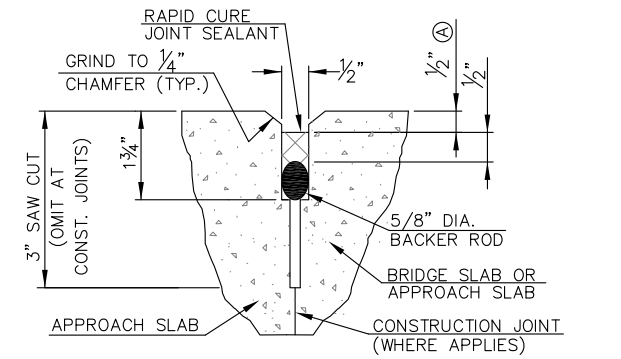
① THE CONTRACT UNIT PRICE FOR "APPROACH SLAB" SHALL BE FULL COMPENSATION FOR CONCRETE, REINFORCING STEEL, BACKER ROD, RAPID CURE JOINT SEALANT, POLYSTYRENE, LABOR, EQUIPMENT AND OTHER INCIDENTALS NECESSARY TO COMPLETE THE WORK AS SPECIFIED ON THE PLANS. THERE IS AN ESTIMATED 20.8 C.Y. OF CLASS AA CONCRETE AND AN ESTIMATED 4320 LB. OF REINFORCING STEEL IN EACH APPROACH SLAB.

APPROACH SLAB BAR LIST

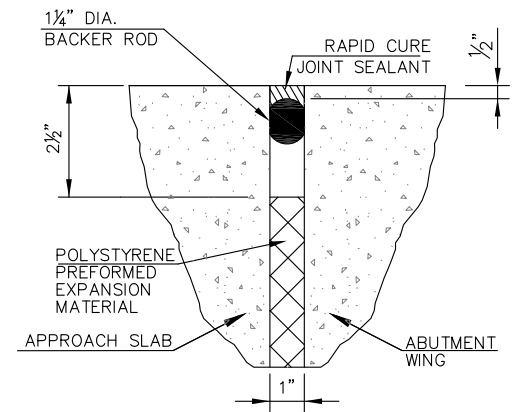
ONE SHOWN, TWO REQUIRED				
PLAIN REINFORCING STEEL				
MARK	No.	SIZE	FORM	LENGTH
AS	27	#4	BENT	5'-0"
BL1	40	#9	STR.	19'-8"
BT1	31	#5	STR.	25'-6"
TL1	28	#4	STR.	19'-8"
TT1	42	#4	STR.	12'-7"

APPROACH SLAB NO. 1
TOP LAYER REINFORCING STEEL DETAIL SHOWN
(TYP. FOR EACH APPROACH SLAB)

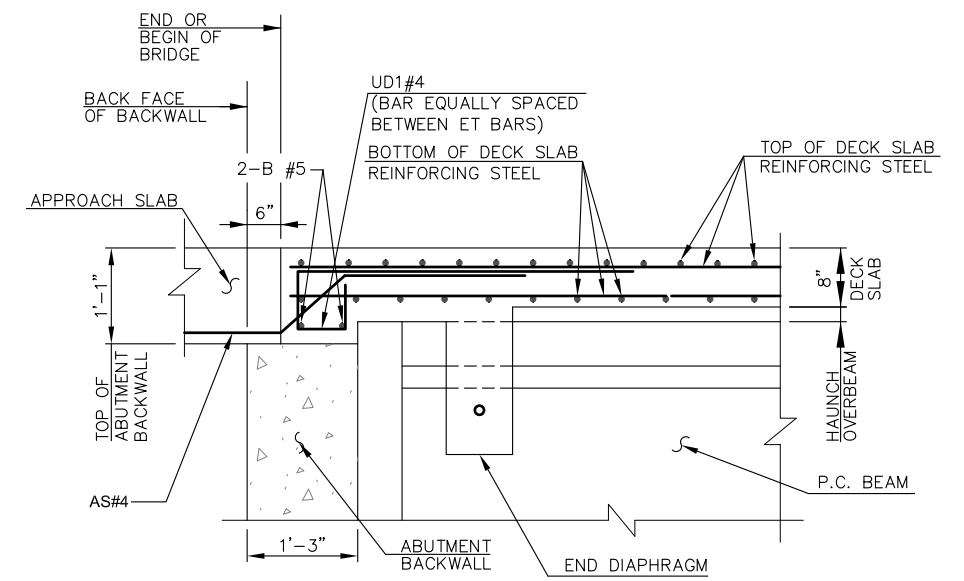
APPROACH SLAB NO. 2
BOTTOM LAYER REINFORCING STEEL DETAIL SHOWN
(TYP. FOR EACH APPROACH SLAB)



SAWED AND SEALED JOINT - DETAIL A
① THIS DIMENSION SHALL TAPER FROM 1/2" AT EDGE OF DRIVING LANE/SHOULDER TO 1/8" AT FACE OF TRAFFIC RAILS FOR TRANSVERSE JOINTS ONLY.

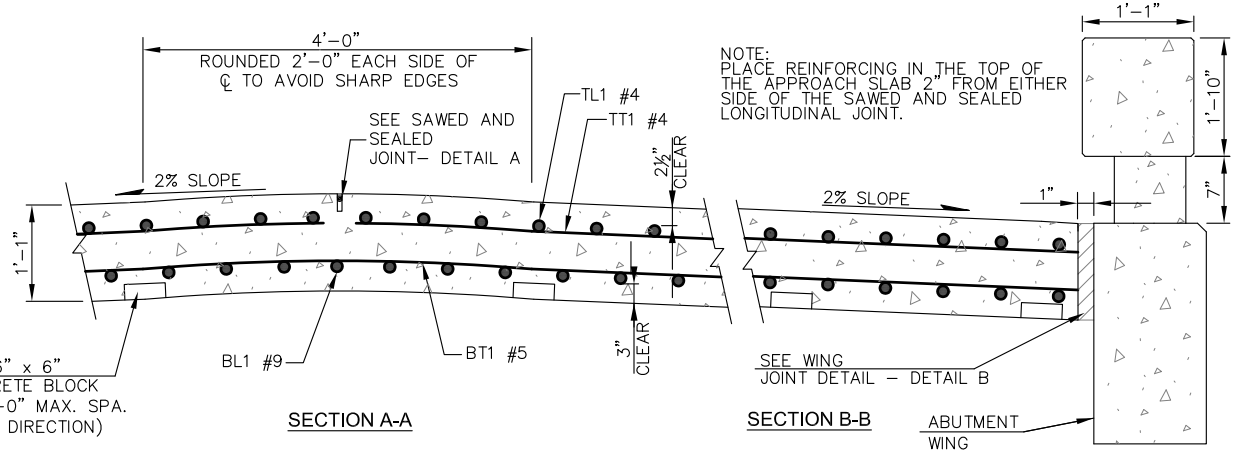


WING JOINT - DETAIL B



TYPICAL DECK SLAB REINFORCING AT ABUTMENT BACKWALL - SECTION C-C

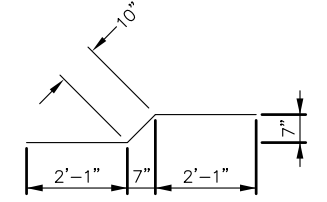
- NOTES:**
- USE THIS DETAIL IN LIEU OF "TYPICAL DECK SLAB REINFORCING AT ABUTMENT BACKWALL" SHOWN ON STANDARD CB26-C-SK0-LSECT-PCB.
 - REINFORCING STEEL EB#5, ET#4 IN DECK SLAB SHALL BE FIELD MODIFIED FROM STANDARD CB26-C-SK30-DKSLB-BLIST.



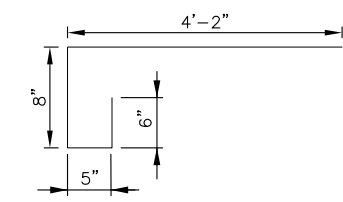
SECTION A-A

SECTION B-B

NOTE: FOR ADDITIONAL DETAIL OF CONCRETE TRAFFIC RAIL, SEE STD. TR3-2.



AS #4 x 5'-0"
(PLACE W/ DECK SLAB REINF.)



UD1 #4 x 5'-9"
(TO BE USED IN LIEU OF UD1#4 SHOWN ON STANDARD CB26-C-SK0-DKSLAB-BLIST.)

DESIGN		EW115 OVER TEXANNA CREEK	MCINTOSH CO.
DRAWN	GLH	OKLAHOMA DEPARTMENT OF TRANSPORTATION	
CHECKED	GCS		
APPROVED		APPROACH SLAB DETAILS	
SQUAD	KCS		
		STATE JOB NO. 29374(04)	SHEET NO. B003

N:\AF34-CED2-1 - MCINTOSH-HR052\DRAWINGS\AF34 APPROACH SLAB.DWG 8/11/2017